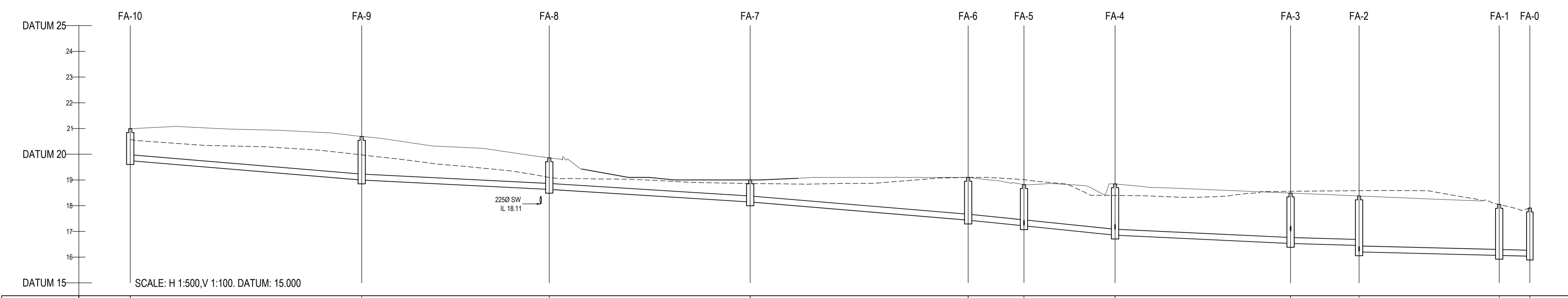


© COPYRIGHT OF THIS DRAWING IS RESERVED BY DBFL CONSULTING ENGINEERS. NO PART SHALL BE REPRODUCED OR TRANSMITTED WITHOUT THEIR WRITTEN PERMISSION.
 NO CHANGES OF WHATSOEVER NATURE ARE TO BE MADE TO ANY DETAILS SET OUT OR CONTAINED IN ANY DBFL SPECIFICATIONS OR DRAWINGS UNLESS THE EXPRESS CONSENT HAS BEEN OBTAINED IN ADVANCE, IN WRITING, FROM DBFL

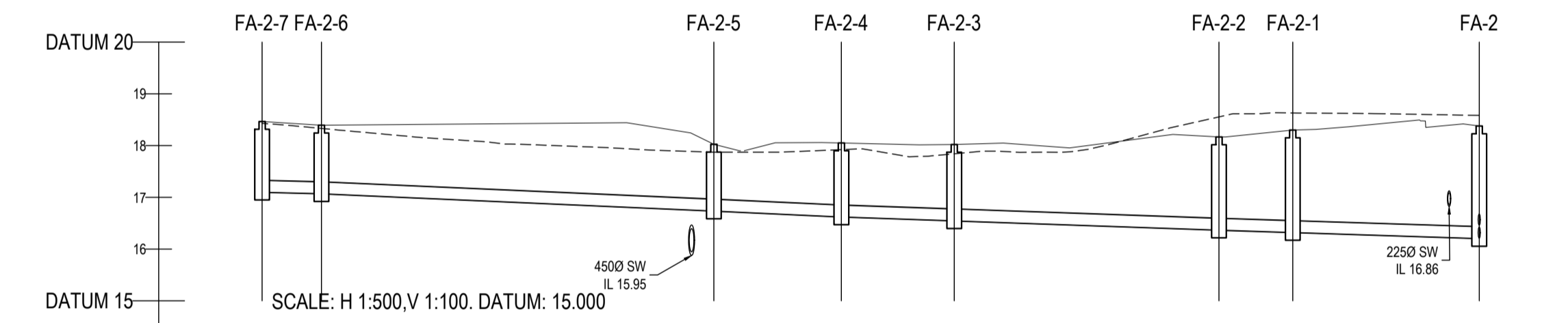
- NOTES:
- ALL DRAWINGS TO BE CHECKED BY CONTRACTOR ON SITE AND ENGINEER INFORMED OF DISCREPANCIES BEFORE WORK COMMENCES
 - ALL LEVELS ARE IN METRES AND ARE RELATED TO ORDNANCE DATUM
 - CONTRACTOR SHALL SATISFY HIMSELF AS TO THE ACCURACY OF PAVEMENT LEVELS ON SITE PRIOR TO COMMENCEMENT OF WORKS ON SITE
 - ALL WORKS TO BE CONSTRUCTED IN ACCORDANCE WITH THE NRA SPECIFICATION FOR ROAD WORKS UNLESS NOTED OTHERWISE
 - THIS DRAWING IS FOR PLANNING PURPOSES ONLY
 - MANHOLE COVER LEVELS ARE TO CONFORM WITH FINISHED ROAD AND PATH LEVELS
 - WHERE COVER TO PIPE IS LESS THAN 1200mm (ROAD/PATH/VERGE) OR 800mm (OPEN SPACE) SURROUND PIPE IN MINIMUM 150mm CONCRETE



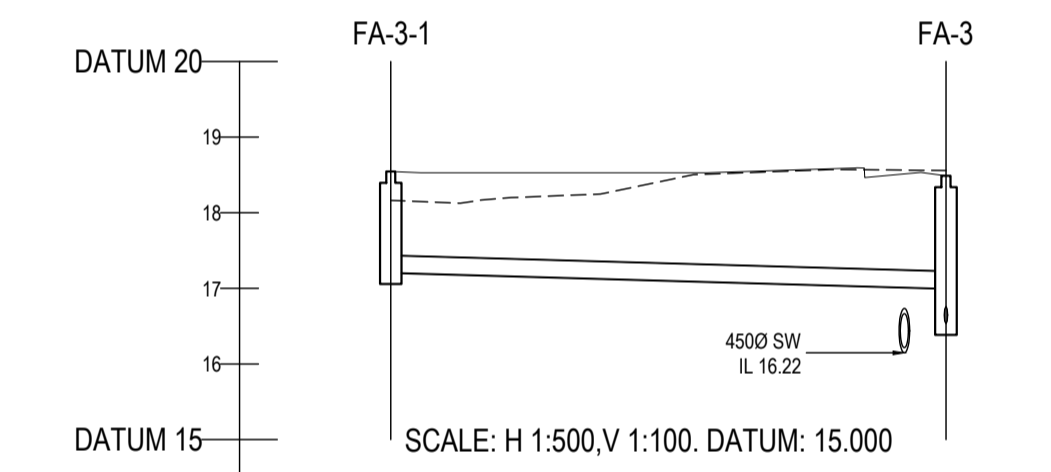
COVER LEVEL	20.953	20.691	19.860	19.000	19.100	18.818	18.846	18.489	18.378	18.048	17.906
INVERT LEVEL	19.700	19.000	18.635	18.447	17.440	17.220	16.866	16.534	16.466	16.000	16.009
DEPTH (m)	1.243	1.691	1.225	0.853	1.660	1.598	1.980	1.955	2.173	1.973	1.867
DISTANCE (m)		45.01	36.49	39.07	42.39	10.86	17.72	34.13	13.32	27.26	5.96
PIPE SLOPE		1:60	1:100	1:80	1:60	1:49	1:49	1:106	1:171	1:200	1:199
PIPE SIZE		225mm	225mm	225mm	225mm	225mm	225mm	225mm	225mm	225mm	225mm

KEY

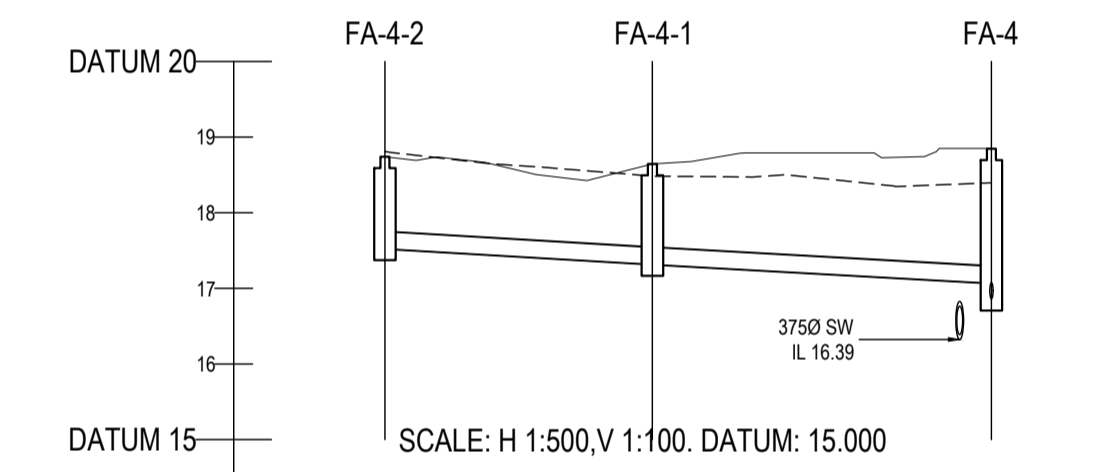
- - - - - EXISTING GROUND PROFILE
- PROPOSED GROUND PROFILE



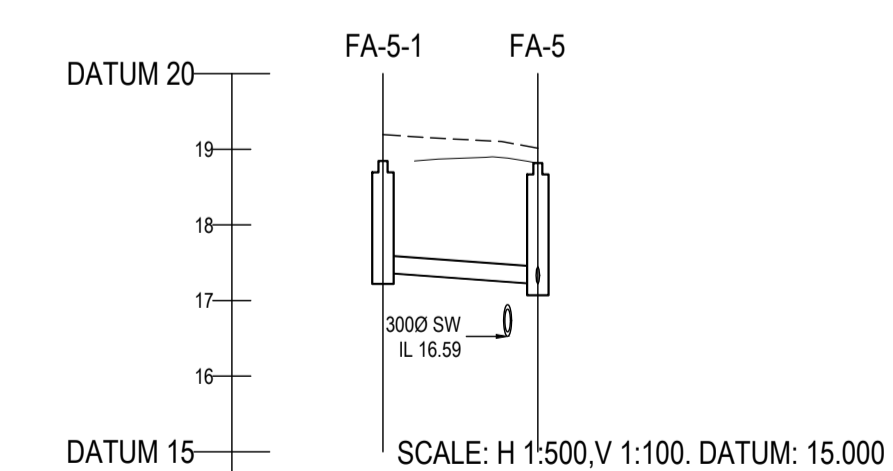
COVER LEVEL	18.465	18.392	18.025	18.051	18.022	18.167	18.301	18.378
INVERT LEVEL	17.100	17.071	16.736	16.622	16.547	16.397	16.321	16.205
DEPTH (m)	1.365	1.321	1.289	1.429	1.475	1.800	1.980	2.173
DISTANCE (m)	5.73	37.92	12.32	10.91	25.58	7.13	18.02	
PIPE SLOPE	1:198	1:113	1:108	1:145	1:142	1:155	1:155	
PIPE SIZE	225mm	225mm	225mm	225mm	225mm	225mm	225mm	



COVER LEVEL	18.846	18.489
INVERT LEVEL	17.207	16.997
DEPTH (m)	1.339	1.495
DISTANCE (m)	36.72	
PIPE SLOPE	1:175	
PIPE SIZE	225mm	



COVER LEVEL	18.740	18.846	18.846
INVERT LEVEL	17.524	17.316	17.067
DEPTH (m)	1.216	1.330	1.780
DISTANCE (m)	17.69	22.42	
PIPE SLOPE	1:85	1:90	
PIPE SIZE	225mm	225mm	



COVER LEVEL	18.844	18.818
INVERT LEVEL	17.370	17.220
DEPTH (m)	1.474	1.598
DISTANCE (m)	10.24	
PIPE SLOPE	1:68	
PIPE SIZE	225mm	

rev	date	description	by	chkd.
2	11-12-25	LRD APPLICATION		PGC
1	07-11-25	SCDA APPLICATION		HWH
0	26-06-25	LRD APPLICATION		PGC

STATUS CODES
 purpose acceptance
 P3 - PLANNING PERMISSION S - ISSUED



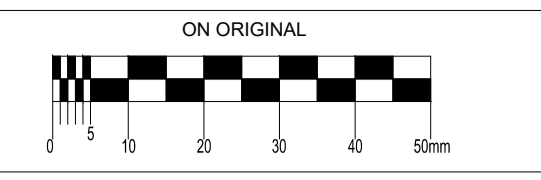
T : 353 1 400 4000 | E: info@dbfl.ie | W: www.dbfl.ie
 DUBLIN | CORK | GALWAY | WATERFORD

project ref.
 SANDFORD ROAD, MILLTOWN

drawing title
 FOUL WATER LONGSECTIONS SHEET
 1

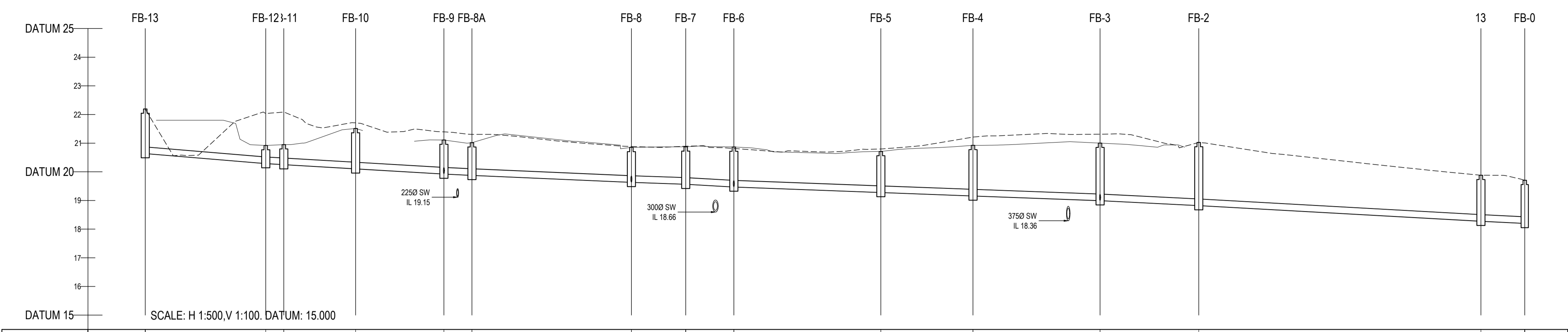
client
 SANDFORD LIVING LIMITED

designed by	author	scale	sheet size
EDA	RMC	AS SHOWN	A1
drawing no.	revision		
190226-X-92-Z00-DTM-DR-DBFL-CE-3311	2		

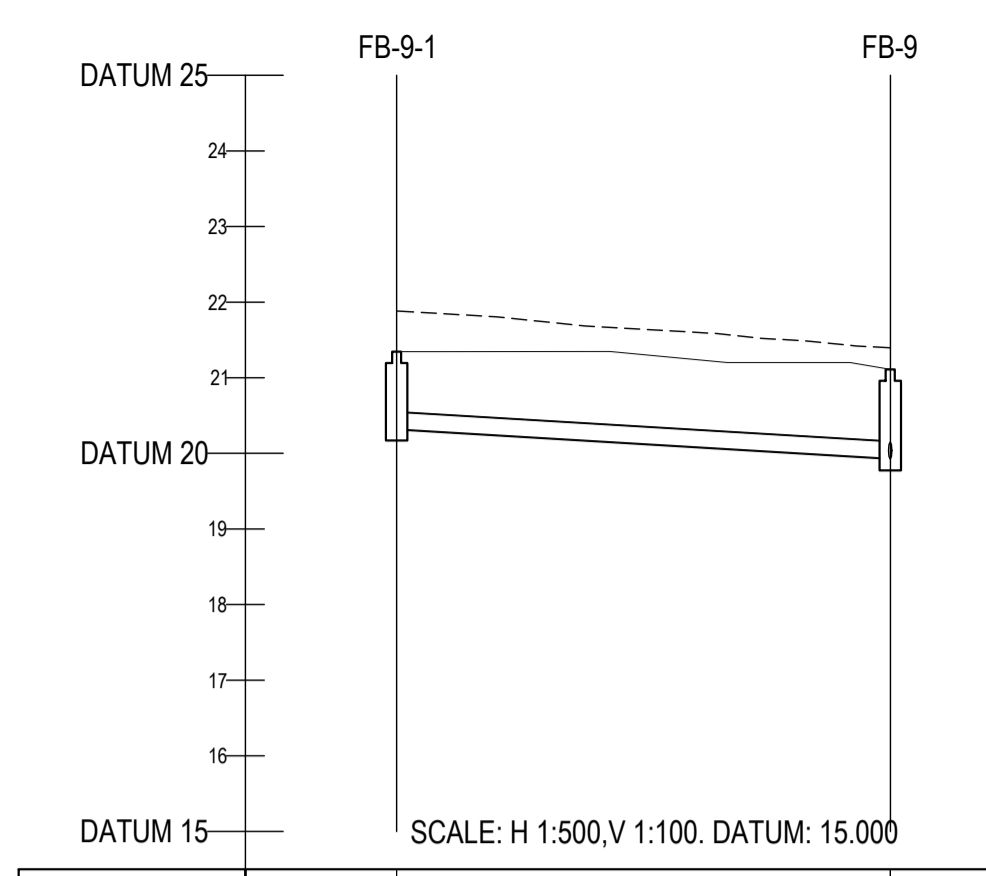


© COPYRIGHT OF THIS DRAWING IS RESERVED BY DBFL CONSULTING ENGINEERS. NO PART SHALL BE REPRODUCED OR TRANSMITTED WITHOUT THEIR WRITTEN PERMISSION.
 NO CHANGES OF WHATSOEVER NATURE ARE TO BE MADE TO ANY DETAILS SET OUT OR CONTAINED IN ANY DBFL SPECIFICATIONS OR DRAWINGS UNLESS THE EXPRESS CONSENT HAS BEEN OBTAINED IN ADVANCE, IN WRITING, FROM DBFL.

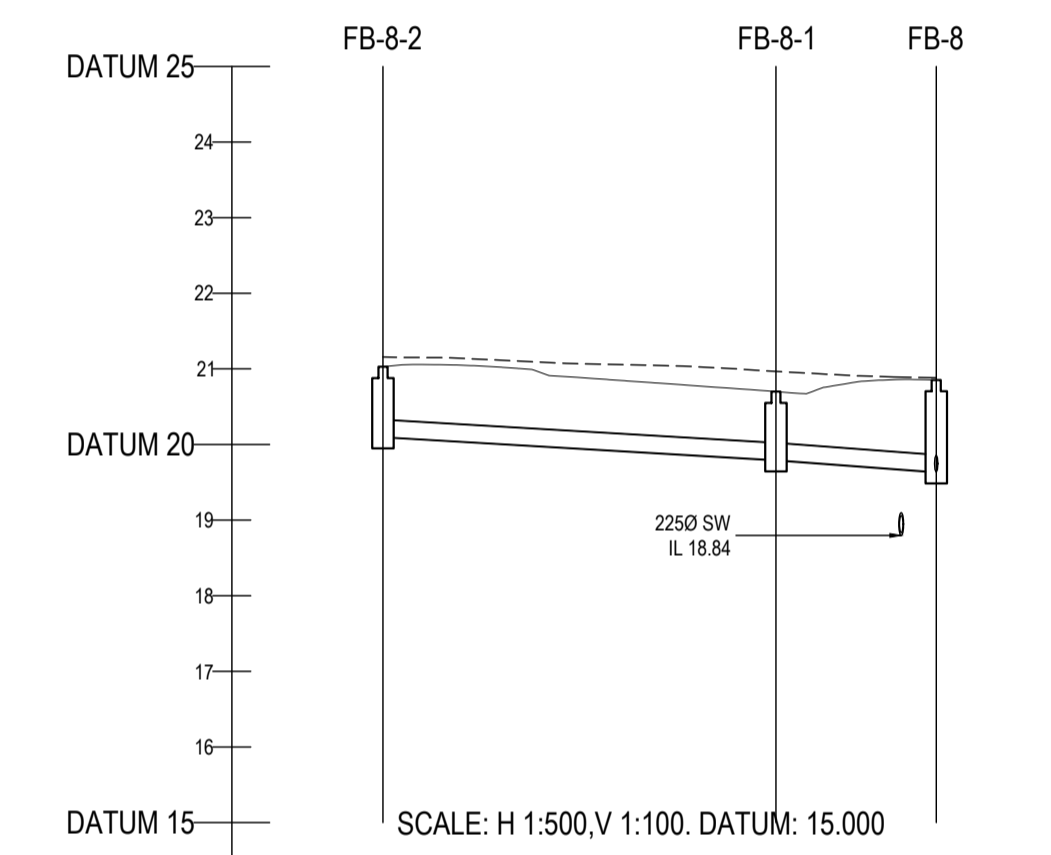
- NOTES:
- ALL DRAWINGS TO BE CHECKED BY CONTRACTOR ON SITE AND ENGINEER INFORMED OF DISCREPANCIES BEFORE WORK COMMENCES
 - ALL LEVELS ARE IN METRES AND ARE RELATED TO ORDINANCE DATUM
 - CONTRACTOR SHALL SATISFY HIMSELF AS TO THE ACCURACY OF PAVEMENT LEVELS ON SITE PRIOR TO COMMENCEMENT OF WORKS ON SITE
 - ALL WORKS TO BE CONSTRUCTED IN ACCORDANCE WITH THE NRA SPECIFICATION FOR ROAD WORKS UNLESS NOTED OTHERWISE
 - THIS DRAWING IS FOR PLANNING PURPOSES ONLY
 - MANHOLE COVER LEVELS ARE TO CONFORM WITH FINISHED ROAD AND PATH LEVELS
 - WHERE COVER TO PIPE IS LESS THAN 1200mm (ROAD/PATH VERGE) OR 500mm (OPEN SPACE) SURROUND PIPE IN MINIMUM 150mm CONCRETE.



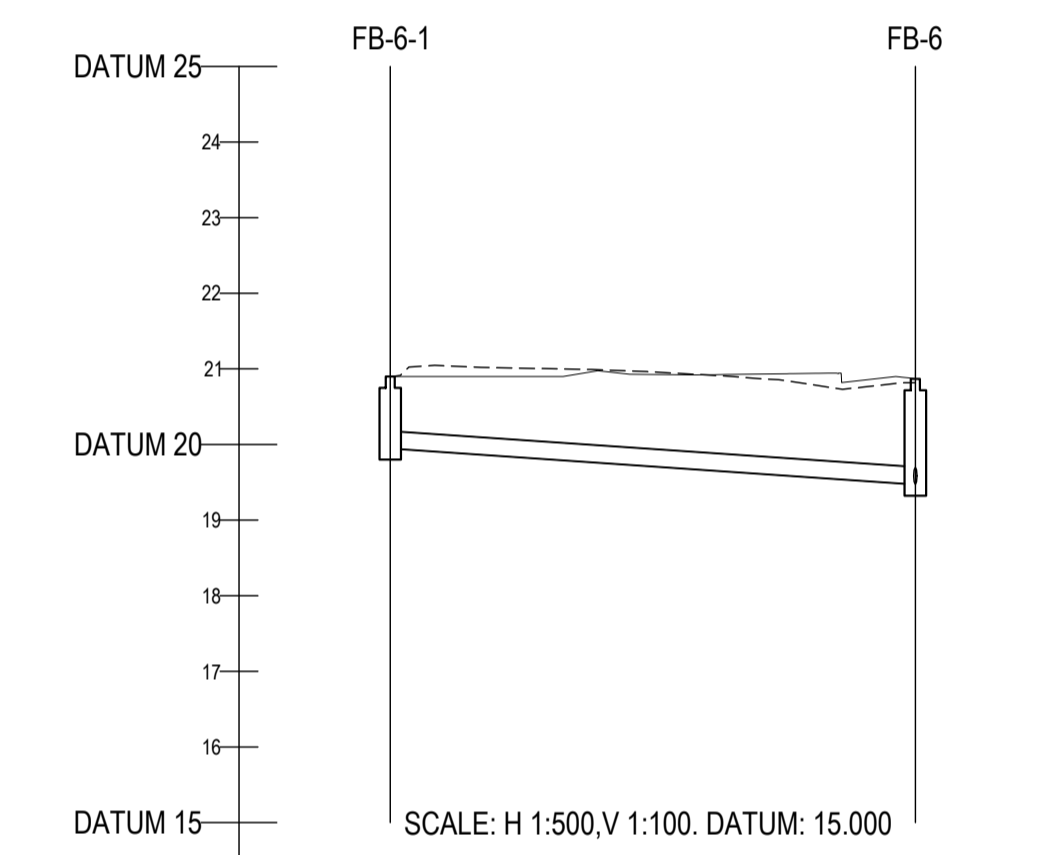
	FB-13	FB-12-11	FB-10	FB-9 FB-8A	FB-8	FB-7	FB-6	FB-5	FB-4	FB-3	FB-2	13	FB-0
COVER LEVEL	22.193	20.919	20.950	21.512	21.110	21.016	20.854	20.873	20.867	20.711	20.824	19.881	19.705
INVERT LEVEL	20.640	20.220	20.233	20.106	19.925	19.878	19.635	19.569	19.473	19.290	19.190	18.278	18.202
DEPTH (m)	1.553	0.699	0.697	1.406	1.185	1.138	1.219	1.304	1.394	1.481	1.764	1.603	1.503
DISTANCE (m)		21.01	3.15	12.52	15.40	4.90	27.80	9.47	8.39	25.63	16.07	22.15	49.20
PIPE SLOPE		1.60	1.85	1.85	1.85	1.104	1.114	1.144	1.87	1.133	1.134	1.135	1.90
PIPE SIZE		225mm	225mm	225mm	225mm	225mm	225mm	225mm	225mm	225mm	225mm	225mm	225mm



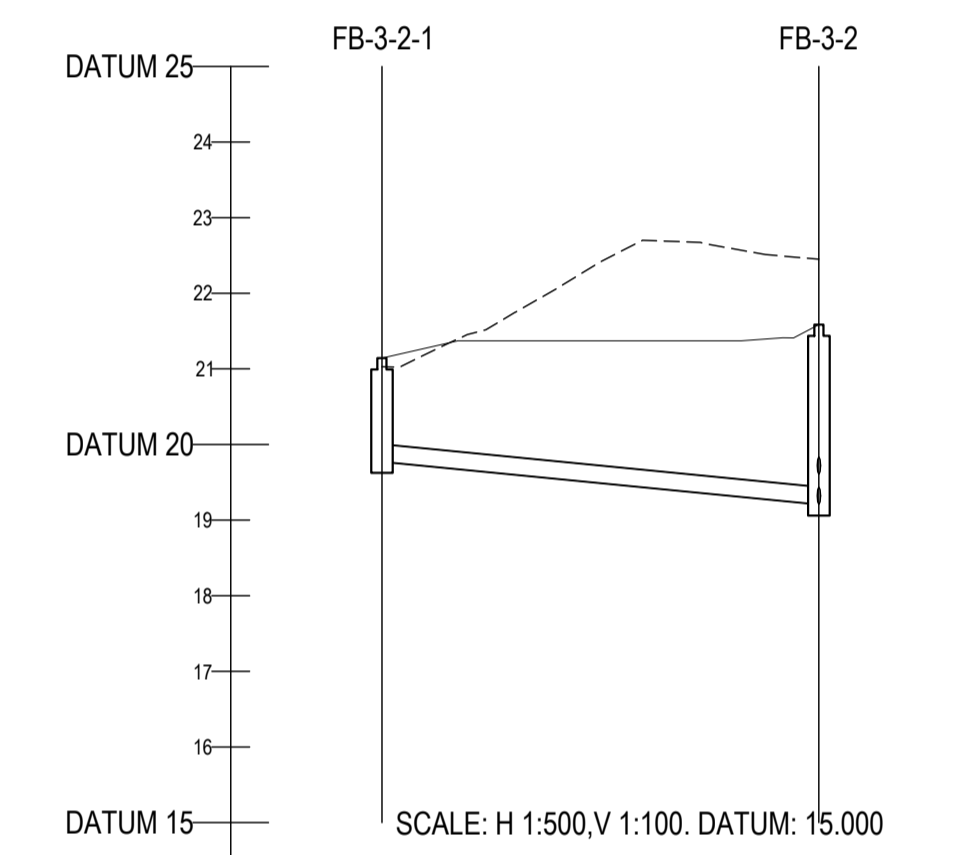
	FB-9-1	FB-9
COVER LEVEL	21.344	21.110
INVERT LEVEL	20.320	19.930
DEPTH (m)	1.024	1.185
DISTANCE (m)		32.65
PIPE SLOPE		1.84
PIPE SIZE		225mm



	FB-8-2	FB-8-1	FB-8
COVER LEVEL	21.028	20.700	20.354
INVERT LEVEL	20.100	19.794	19.635
DEPTH (m)	0.928	0.906	1.219
DISTANCE (m)		25.99	10.60
PIPE SLOPE		1.85	1.67
PIPE SIZE		225mm	225mm

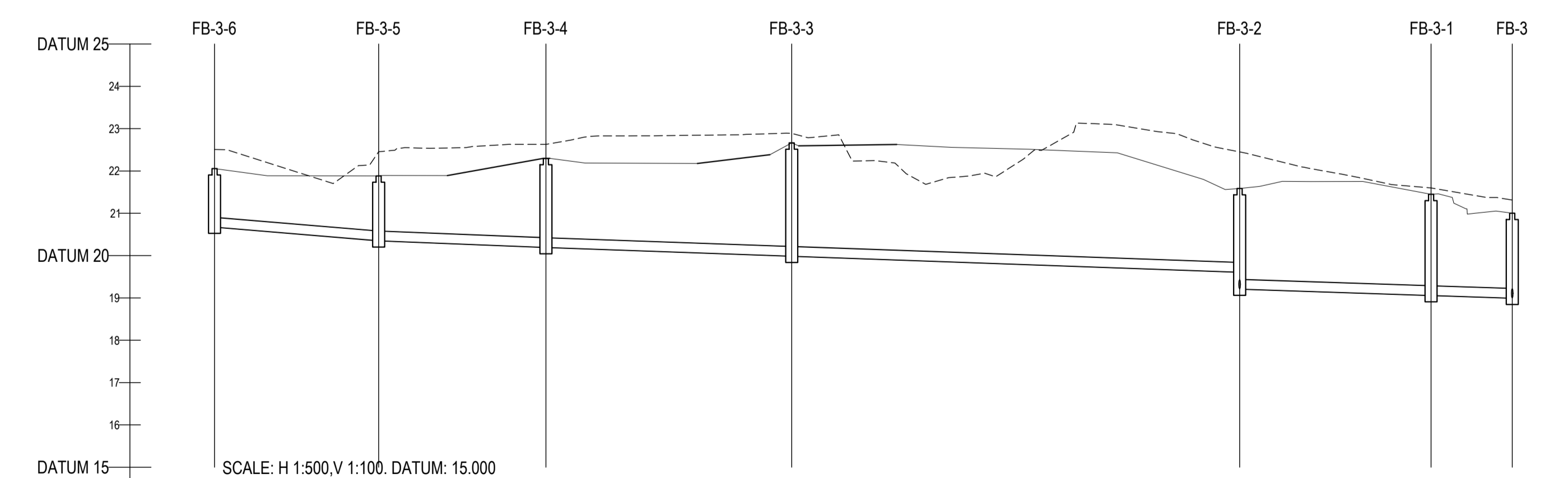


	FB-6-1	FB-6
COVER LEVEL	20.900	20.867
INVERT LEVEL	19.960	19.674
DEPTH (m)	0.950	1.394
DISTANCE (m)		34.73
PIPE SLOPE		1.73
PIPE SIZE		225mm



	FB-3-2-1	FB-3-2
COVER LEVEL	21.142	21.586
INVERT LEVEL	19.776	19.210
DEPTH (m)	1.367	2.376
DISTANCE (m)		28.90
PIPE SLOPE		1.51
PIPE SIZE		225mm

KEY
 - - - - - EXISTING GROUND PROFILE
 ——— PROPOSED GROUND PROFILE



	FB-3-6	FB-3-5	FB-3-4	FB-3-3	FB-3-2	FB-3-1	FB-3
COVER LEVEL	22.056	21.883	22.298	22.663	21.586	21.448	21.001
INVERT LEVEL	20.675	20.352	20.194	19.597	19.609	19.059	18.996
DEPTH (m)	1.381	1.531	2.104	2.676	2.376	2.389	2.005
DISTANCE (m)		19.37	19.75	29.02	52.88	22.60	9.58
PIPE SLOPE		1.60	1.125	1.140	1.140	1.150	1.152
PIPE SIZE		225mm	225mm	225mm	225mm	225mm	225mm

rev	date	description	by	chkd.
2	11-12-25	LRD APPLICATION	PGC	ED
1	07-11-25	SCDA APPLICATION	H/H	SM
0	26-06-25	LRD APPLICATION	PGC	ED

STATUS CODES
 purpose acceptance
 P3 - PLANNING PERMISSION S - ISSUED



T: +353 1 400 4000 | E: info@dbfl.ie | W: www.dbfl.ie
 DUBLIN | CORK | GALWAY | WATERFORD

project ref.
 SANDFORD ROAD, MILLTOWN

drawing title
 FOUL WATER LONGSECTIONS SHEET
 2

client
 SANDFORD LIVING LIMITED

designed by	author	scale	sheet size
EDA	RMC	AS SHOWN	A1
drawing no.	revision		
190226-X-92-Z00-DTM-DR-DBFL-CE-3312	2		